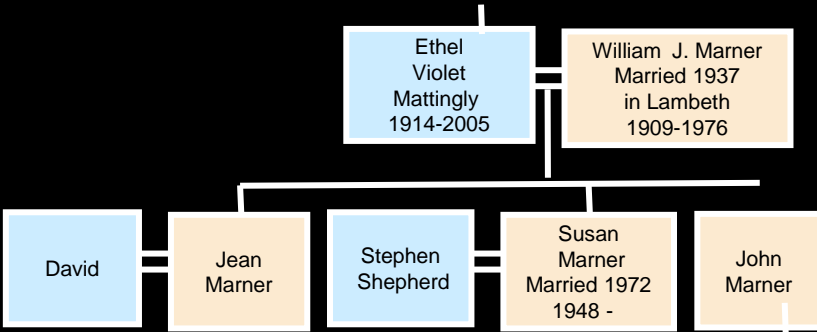


Ethel Violet Marner nee` Mattingly (1914 - 2005)

Ethel Violet Was born in 1914 to Richard and Ethel Mattingly. She was baptised on May 3rd of that year at St. Paul's Church in Brixton. The family were living at 65 Ferndale Road, which was owned by Richards mother. He describes himself as a Traveller, though later he was to serve in the Army during the War. She is living with her father at 19 Concanon Road in 1936. In this year she marries William Marner and moves nearby to 68 Santley Street in Brixton. He describes himself as a Chief Dispatch Clerk for a Chiropody Supplies and Appliance Company in the 1939 Census. They go on to have three children: Jean, John and Susan. William dies in 1976, aged 67 and Ethel in 2005, aged 91.



| Lambeth > St Paul, Brixton > 1909-1916 | | | | | | | |
|--|--------------------------|--------------|-------------------|----------------|-------|--|-----------|
| 14 | May 3 rd 1914 | Ethel Violet | Richard Mattingly | 65 Ferndale Rd | Small | | J. Marner |
| No. 618 | | | | | | | |

| Lambeth > Brixton and Kennington > 1936 | | | |
|---|----|---------------------------|------------------|
| R | O | Proudfoot, William John | 15 CONCANON ROAD |
| R | O | Townsend, Herbert | 15 |
| R | Dw | Townsend, Rose | 15 |
| R | Dw | Chinniah, Ethel Nellie | 17 |
| R | O | Chinniah, Francis Leopold | 17 |
| R | O | Chinniah, Francis Wallace | 17 |
| R | Ow | Taylor, Elizabeth | 17 |
| R | O | Wilds, Arthur | 17 |
| R | O | Mattingly, Eric Richard | 19 |
| R | O | Mattingly, Ethel Violet | 19 |
| R | O | Mattingly, Richard Edward | 19 |
| R | O | Morgan, Alfred Edwin | 19 |
| R | Dw | Morgan, Lilian | 19 |
| R | Dw | Stringer, Irene Maud | 19 |
| R | O | Stringer, James William | 19 |



| ADDRESS. | SCHEDULE. | | SURNAME AND OTHER NAMES. | O. V. S. P. or I. | M. or F. | BIRTH. | | | S. M. W. or D. | PERSONAL OCCUPATION. |
|------------------|-----------|---------|--------------------------|-------------------|----------|--------|-------|----|----------------|--------------------------|
| | No. | Sub No. | | | | Day. | Year. | | | |
| 1 | 2 | 3 | 4 | 5 | 6 | 7 | 8 | 9 | 10 | |
| 9 Santley Street | 61 | | BROWN James J. | | M | 14 | July | 07 | M | Railway Messenger |
| | | | 2 | | F | 13 | Oct | 17 | S | Barber |
| 3 | 68 | | 1 MARNER William J. | | M | 25 | Jan | 09 | M | Chief Dispatch Clerk |
| | | | 2 MARNER Ethel V. | | F | 24 | May | 14 | M | Upstairs Domestic Duties |